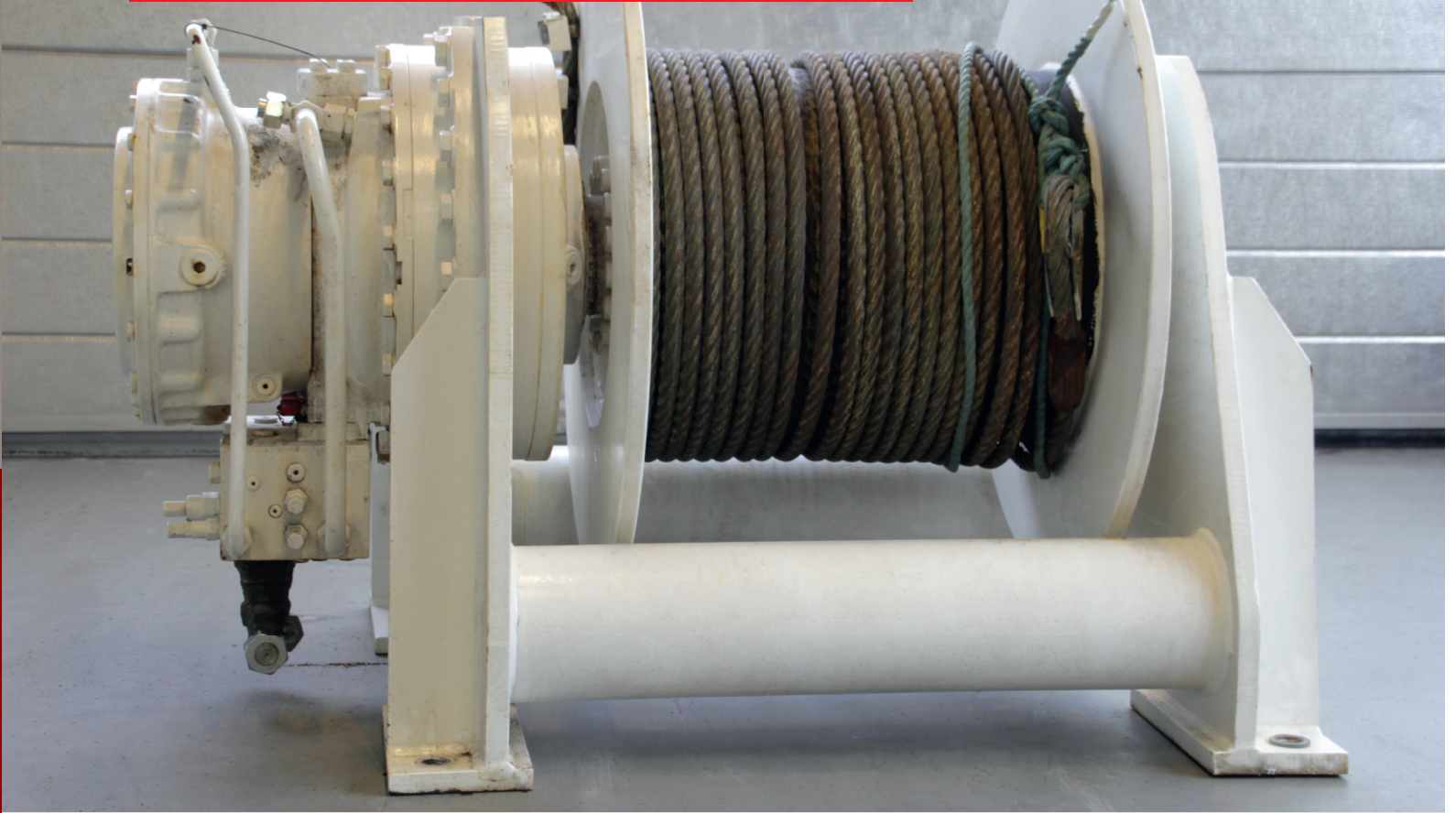




Hydraulic winch 110



Application

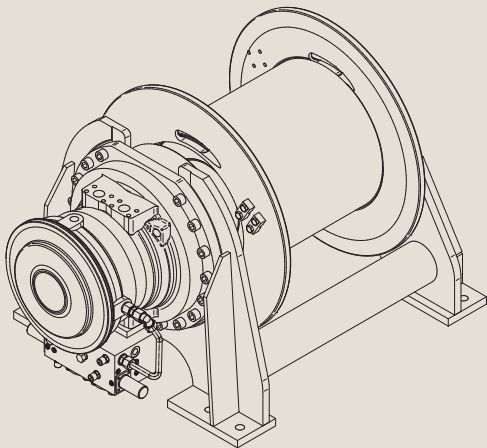
Winches are used for a wide variation of applications. Different projects often require a different type and amount of winches. Renting a winch can also help you out when you need a temporarily solution during breakdowns or refurbishing of installed winches.

Modes of use

- barge mooring
- hoisting operations
- temporarily replacement during winch breakdown or overhaul
- tugger applications.

Available services

- connection materials
- onsite service engineer
- hydraulic hose rental.



The technology innovator.

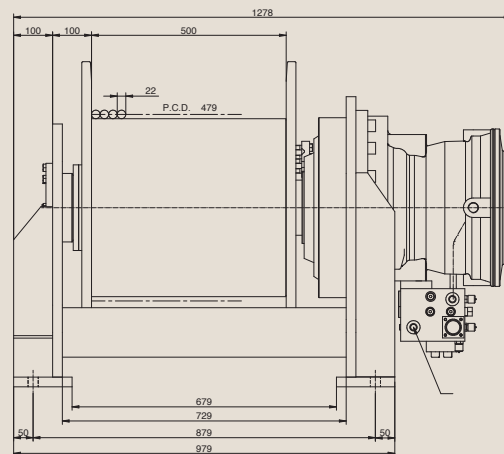
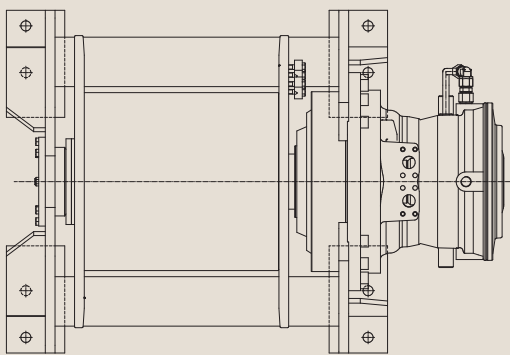
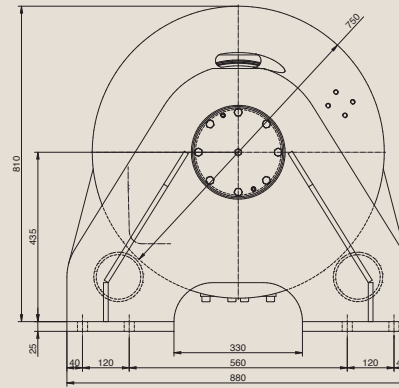
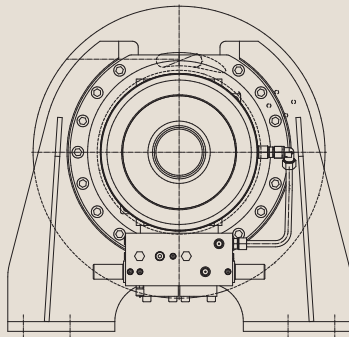


Hydraulic winch 110

Technical specification

Design	Royal IHC
Constant Tensioning	Optionally
Line pull 1 st layer	110kN nominal 250kN Maximum
Required pressure	nominal pull 205 bar maximum pull 420 bar
Line speed 1 st layer	20m min
Holding force	330kN max
Drum type	Smooth
Drum diameter PCD	457mm
Drum Width	540mm
Wire capacity	141m in 4 layers
Drive	Hydraulic
Mass	1155kg excluding wire
Wire	24mm

connection at non-driven side,
fixation on drum by clamping blocks



All rights reserved. Reproduction in any form or by any means is not allowed, without prior permission in writing from IHC Merwede Holding BV.

IHC Hytop BV

P.O. Box 335, 3360 AH Sliedrecht
Industrieweg 30, 3361 HJ Sliedrecht
The Netherlands

T +31 184 43 19 33

www.ihcmerwede.com
www.ihchytop.com

The technology innovator.